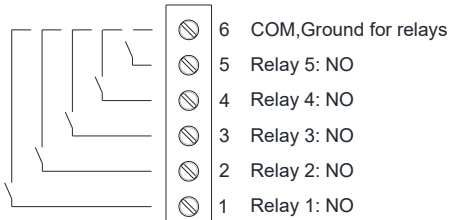


PREMIUM CARD HYDROVAR

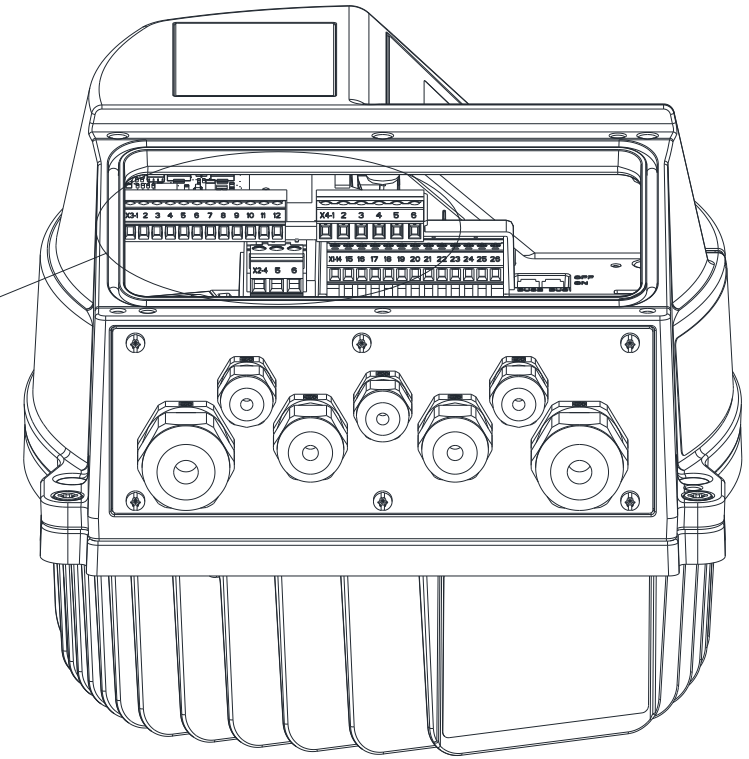
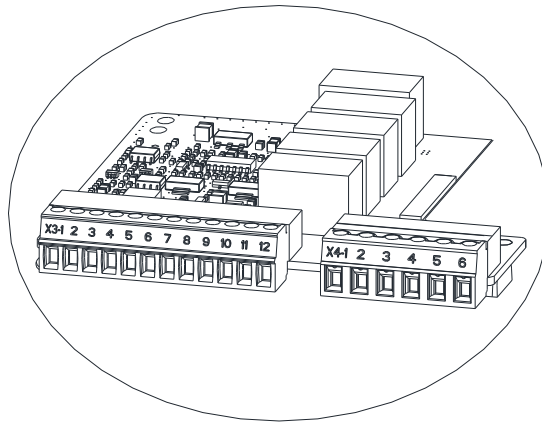


X4

12	→	Ground for external sensor 4
11		Actual value current / voltage input sensor 4
10	+24VDC	Power supply for external sensor 4
9	→	Ground for external sensor 3
8		Actual value current / voltage input sensor 3
7	+24VDC	Power supply for external sensor 3
6	→	Ground for analog output signal 2
5		Analog output signal 2, 0-10 VDC
4	→	Ground for analog output signal 1
3		Analog output signal 1, 4-20 mA
2	→	Ground for configurable digital input 2
1		Configurable digital input 2

X3

NHG_PREMIUM CARD_B_SC



HVNG-IDM_PREMIUM-CARD_A_SC



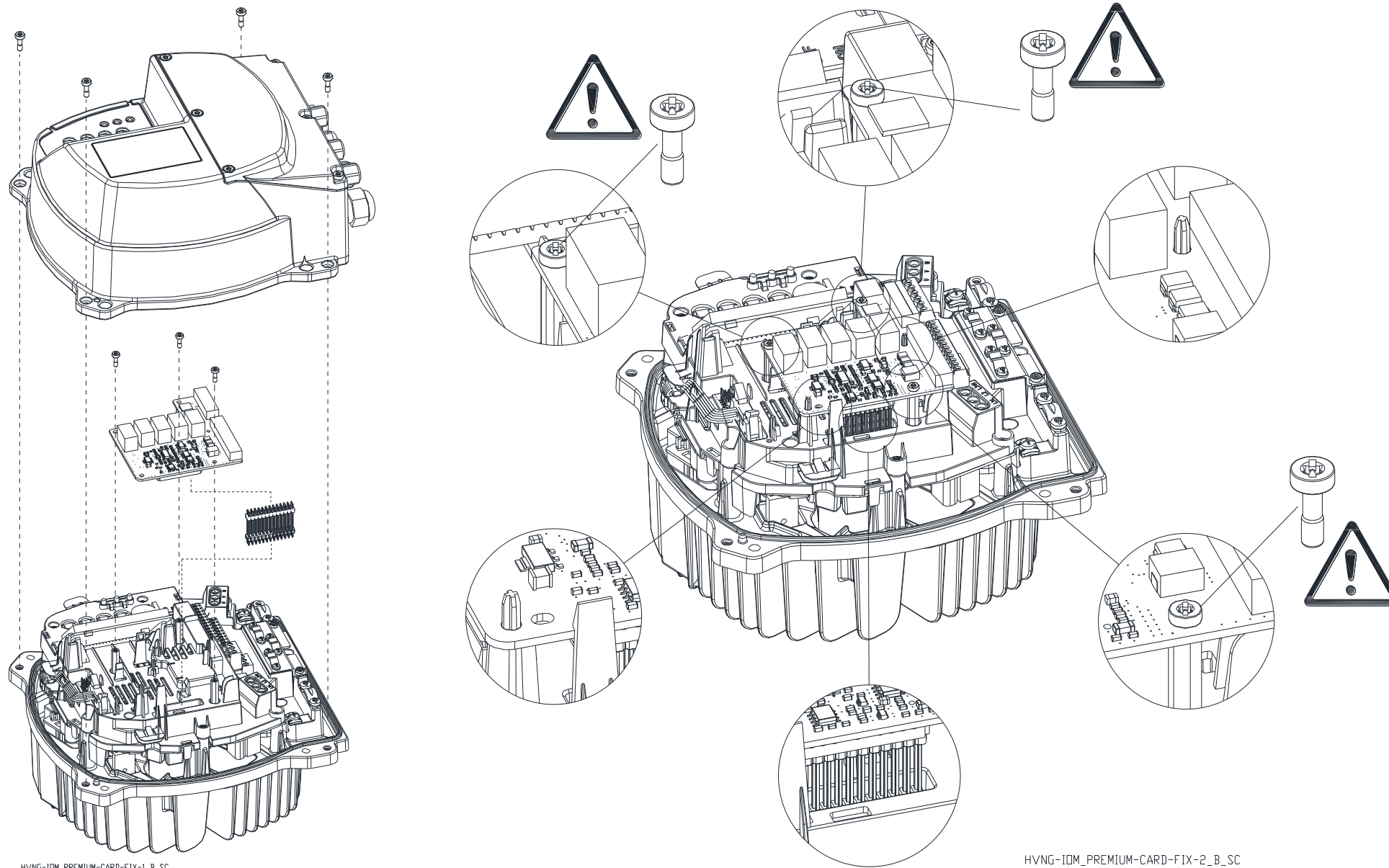
Hauptsitz
Gloor Pumpenbau AG
Thunstrasse 25
CH-3113 Rubigen
Tel. +41 (0)58 255 43 34
info@gloor-pumpen.ch
www.gloor-pumpen.ch

Filiale Mittelland
Gloor Pumpenbau AG
Industriestrasse 25
CH-5036 Oberentfelden



Filiale Suisse Romande
Gloor Pumpenbau SA
Rue du Collège 3 | Case postale
CH-1410 Thierrens
Tél. +41 (0)58 255 43 34
info@gloor-pompes.ch
www.gloor-pompes.ch





HVNG-IDM_PREMIUM-CARD-FIX-1_B_SC

HVNG-IDM_PREMIUM-CARD-FIX-2_B_SC

