

EP JUNIOR 1¼“, EP SENIOR 1½“, EP MASTER 2“, EP 70 Inox Selbstansaugende horizontale Kreiselpumpen Peripheralradpumpen

Einstufige Peripheralradpumpen in Blockbauweise, normalsaugend, für kleine Fördermengen bei grossen Förderhöhen.

Technische Daten

- Fördermenge: bis 54 m³/h
- Förderhöhe: bis 40 m
- Stromversorgung: Drehstrom & Wechselstrom 50 Hz
- Leistung: 0.45 kW bis 15 kW

Anwendungen

- allg. Industrietechnik, Apparatebau, industrielle Waschanlagen



Hauptsitz

Gloor Pumpenbau AG
Thunstrasse 25
CH-3113 Rubigen

Tel. +41 (0)58 255 43 34
info@gloor-pumpen.ch
www.gloor-pumpen.ch

Filiale Mittelland

Gloor Pumpenbau AG
Industriestrasse 25
CH-5036 Oberentfelden



Filiale Suisse Romande

Gloor Pumpenbau SA
Rue du Collège 3 | Case postale
CH-1410 Thierrens

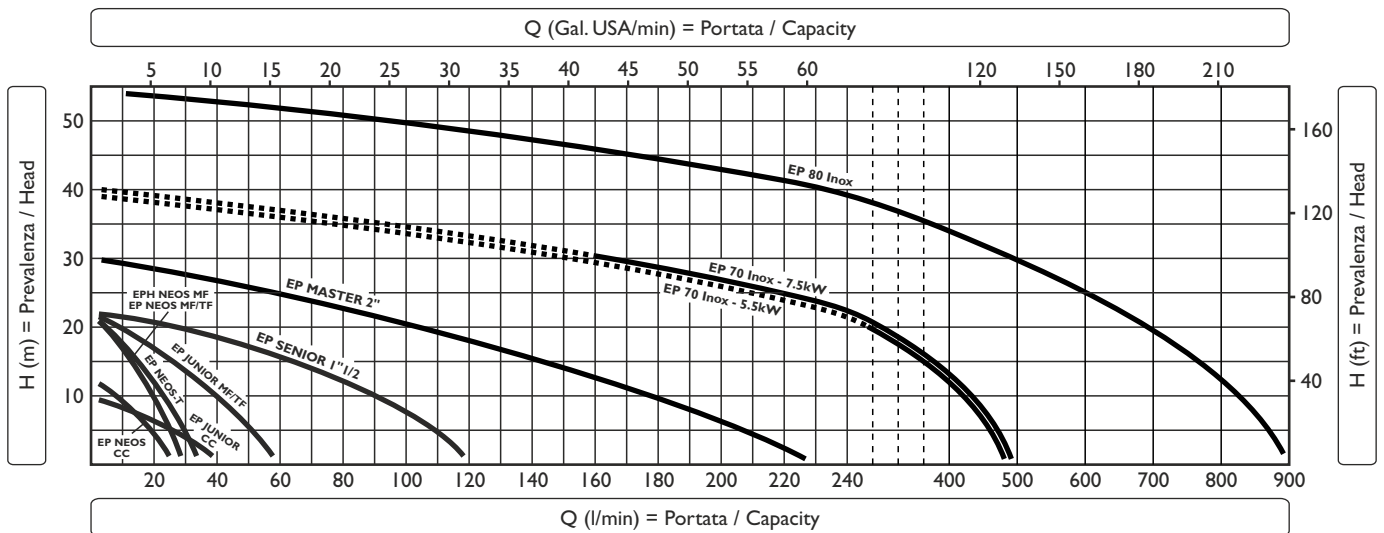
Tél. +41 (0)58 255 43 34
info@gloor-pompes.ch
www.gloor-pompes.ch

ELETTROPOMPE IN ACCIAIO INOX AISI 316

STAINLESS STEEL AISI 316 ELECTRIC PUMPS

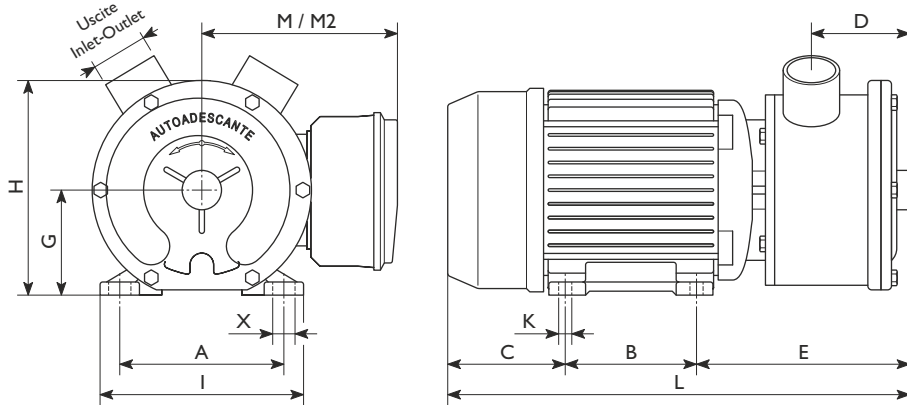


| | | | |
|----------|--|--|-------------|
| L | | 1.5m+PLUG | IP55 |
| I | | 6 m | IP55 |
| M | | Morsettiera Terminal board connection | IP55 |



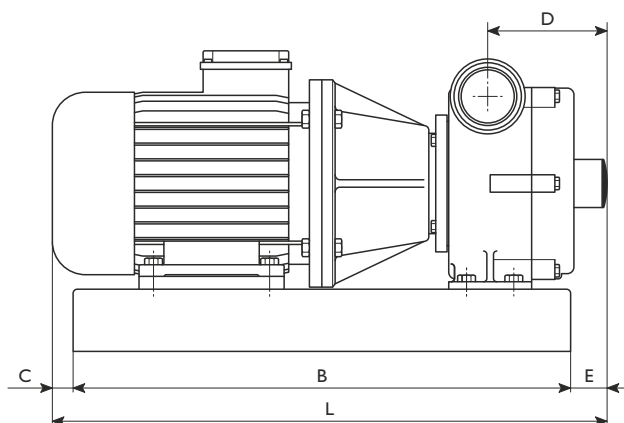
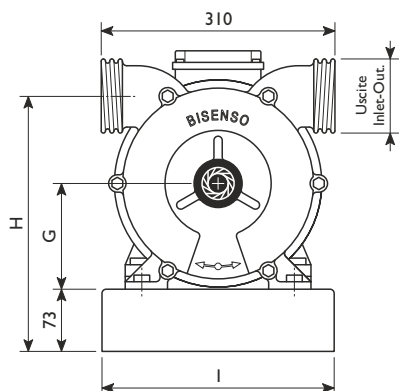
| Tipo Type | Codice Code | Peso Weight | Maniglia Handle | Motore * - Motor * | | | Giri/min Rpm | H (m)=Prevalenza/Head - Q (l/min)=Portata/Capacity | | | | | | | | | | | | | | | |
|-----------------------------|----------------|----------------|--------------------|--------------------|------|-----------|-----------------|--|-----|-----|-----|-----|-----|-----|-----|-----|---|--|--|--|--|--|--|
| | | | | Tipo / Type | Volt | kW | | 0 | 5 | 10 | 12 | 20 | 22 | 30 | 40 | 55 | H | | | | | | |
| EP JUNIOR 1" 1/4 | 60401049 | 9,1 kg | ● | M | CC | 12V / 32A | 0,37 | 2000 | 43 | 25 | 0 | | | | | | | | | | | | |
| | 60411049 | 9,3 kg | ● | M | CC | 24V / 20A | 0,37 | 2000 | 43 | 25 | 0 | | | | | | | | | | | | |
| | 60201048 | 9,5 kg | X | I | MF | 230V | 0,45 | 2800 | 58 | 47 | 34 | 19 | 8 | 0 | | | | | | | | | |
| | 60301048 | 9,6 kg | X | I | TF | 230-400V | 0,56 | 2800 | 58 | 47 | 34 | 19 | 8 | 0 | | | | | | | | | |
| | 60301050 | 8,7 kg | X | M | | | | | | | | | | | | | | | | | | | |
| EP SENIOR 1" 1/2 | 60414049 | 19,9 kg | ● | M | CC | 24V / 45A | 1,12 | 1400 | 120 | 110 | 85 | 55 | 30 | 0 | | | | | | | | | |
| | 60204049 | 15,9 kg | X | I | MF | 230V | 0,75 | 1400 | 120 | 110 | 85 | 55 | 30 | 0 | | | | | | | | | |
| | 60204148 | 17,5 kg | X | I | MF | 230V | 1,12 | 1400 | 120 | 110 | 85 | 55 | 30 | 0 | | | | | | | | | |
| | 60304048 | 15,6 kg | X | I | TF | 230-400V | 0,75 | 1400 | 120 | 110 | 85 | 55 | 30 | 0 | | | | | | | | | |
| | 60304148 | 17,6 kg | X | I | TF | 230-400V | 1,12 | 1400 | 120 | 110 | 85 | 55 | 30 | 0 | | | | | | | | | |
| | 60304150 | 16,9 kg | X | M | | | | | | | | | | | | | | | | | | | |
| EP MASTER 2" | 60415049 | 35,5 kg | n.d. | M | CC | 24V / 95A | 1,5 | 1400 | 230 | 210 | 175 | 140 | 90 | 85 | 0 | | | | | | | | |
| | 60205148 | 27,5 kg | n.d. | I | MF | 230V | 1,86 | 1400 | 230 | 210 | 175 | 140 | 90 | 85 | 0 | | | | | | | | |
| | 60305148 | 26,5 kg | n.d. | I | TF | 230-400V | 1,86 | 1400 | 230 | 210 | 175 | 140 | 90 | 85 | 0 | | | | | | | | |
| | 60305150 | 26,0 kg | n.d. | M | | | | | | | | | | | | | | | | | | | |
| EP 70 Inox | 60377081 | 75,0 kg | n.d. | M | TF | 230-400V | 5,5 | 1400 | 500 | 460 | 415 | 370 | 295 | 280 | 165 | 0 | | | | | | | |
| | 60377181 | 87,0 kg | n.d. | M | TF | 230-400V | 7,5 | 1400 | 500 | 460 | 415 | 370 | 295 | 280 | 165 | 0 | | | | | | | |
| EP 80 Inox | 60378081 | 216,0 kg | n.d. | M | TF | 400-690V | 15 | 1400 | 900 | 840 | 785 | 750 | 650 | 620 | 500 | 300 | 0 | | | | | | |

● = Pompe con maniglia inclusa - Pumps with handle included / X = disponibile a richiesta - available on request / n.d. = non disponibile - not available
 * MF = Monofase / Single Phase - TF = Trifase / Three Phase - CC = Corrente Continua / Direct Current

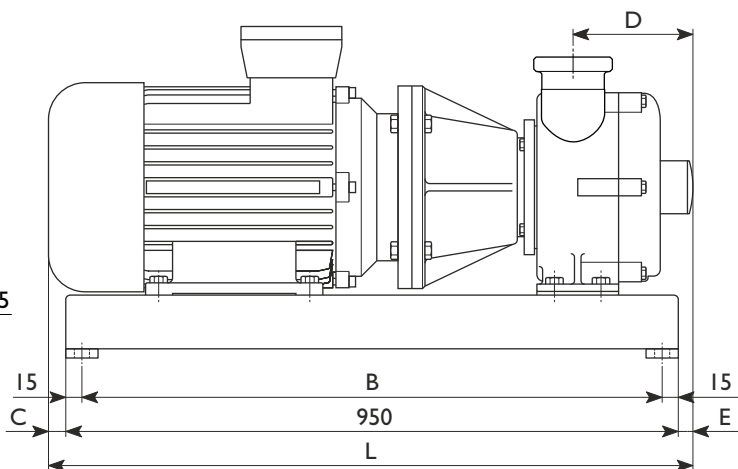
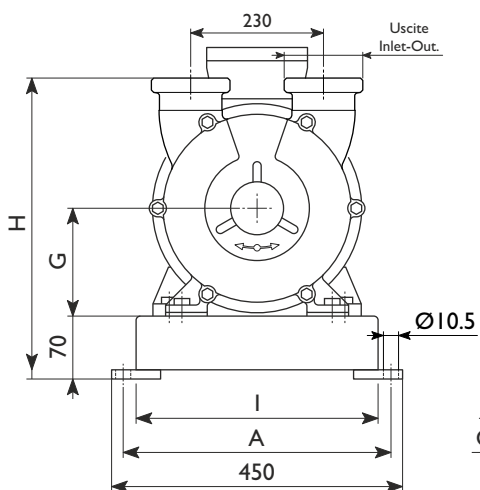


EP JUNIOR 1"1/4
EP SENIOR 1"1/2
EP MASTER 2"

EP 70 Inox



EP 80 Inox



| Tipo Type | Uscite Inlet-Outlet | Raccordi Pipe fittings | Motore Motor | Dimensioni (mm) / Dimensions (mm) | | | | | | | | | | | | |
|------------------------|------------------------|---------------------------|-----------------|-----------------------------------|-----|-----|-----|-----|-----|-----|-----|-----|-----|------|-------|------|
| | | | | A | B | C | D | E | G | H | I | K | L | M*** | M2*** | X |
| EP JUNIOR 1"1/4 | BSP-M 1"1/4 * | Ø30 ** | CC | 112 | 90 | 102 | 50 | 168 | 71 | 137 | 136 | 8 | 360 | - | 110 | 12 |
| | | | MF/TF | 112 | 90 | 78 | 50 | 168 | 71 | 137 | 136 | 8 | 336 | 145 | 110 | 12 |
| EP SENIOR 1"1/2 | BSP-M 1"1/2 * | Ø40 ** | CC | 140 | 125 | 185 | 76 | 190 | 90 | 165 | 175 | 10 | 500 | - | 130 | 17.5 |
| | | | MF/TF | 125 | 100 | 90 | 76 | 170 | 80 | 165 | 155 | 10 | 360 | 155 | 125 | 17.5 |
| EP MASTER 2" | BSP-M 2" * | Ø50 ** | CC | 140 | 125 | 137 | 94 | 185 | 90 | 193 | 175 | 10 | 447 | - | - | 17.5 |
| | | | MF/TF | 140 | 125 | 100 | 94 | 215 | 90 | 193 | 175 | 10 | 440 | 160 | 130 | 17.5 |
| EP 70 Inox | DIN 65 * | n.d. | TF 5.5 kW | - | 600 | 43 | 144 | 47 | 128 | 306 | 270 | - | 690 | - | - | - |
| | | | TF 7.5 kW | - | 600 | 105 | 144 | 80 | 156 | 334 | 270 | - | 785 | - | - | - |
| EP 80 Inox | DIN 80 * | n.d. | TF 15 kW | 430 | 920 | 11 | 181 | 16 | 176 | 410 | - | 977 | - | - | - | |

* = Uscite standard, altre uscite disponibili p.20 / Standard inlet-outlet, different inlet-outlet are available see p.20

** = Raccordi in acciaio inox o nylon a richiesta / Stainless steel or nylon pipe fittings on request

M*** = interruttore/invertitore-portacondensatore / on-off reverse switch-capacitor box - M2*** = morsettiera / terminal board connection

n.d. = Raccordi non disponibili / Pipe fittings not available